

The image features a background of a wind farm at sunset. A dirt road winds through a grassy field towards a line of wind turbines on a hill. The sky is filled with vibrant orange and blue clouds. Overlaid on the left side of the image are several diagonal, semi-transparent bands in shades of red, purple, and blue. In the top left corner, the company logo is displayed.

**WMW**  
*western machine works, LLC*

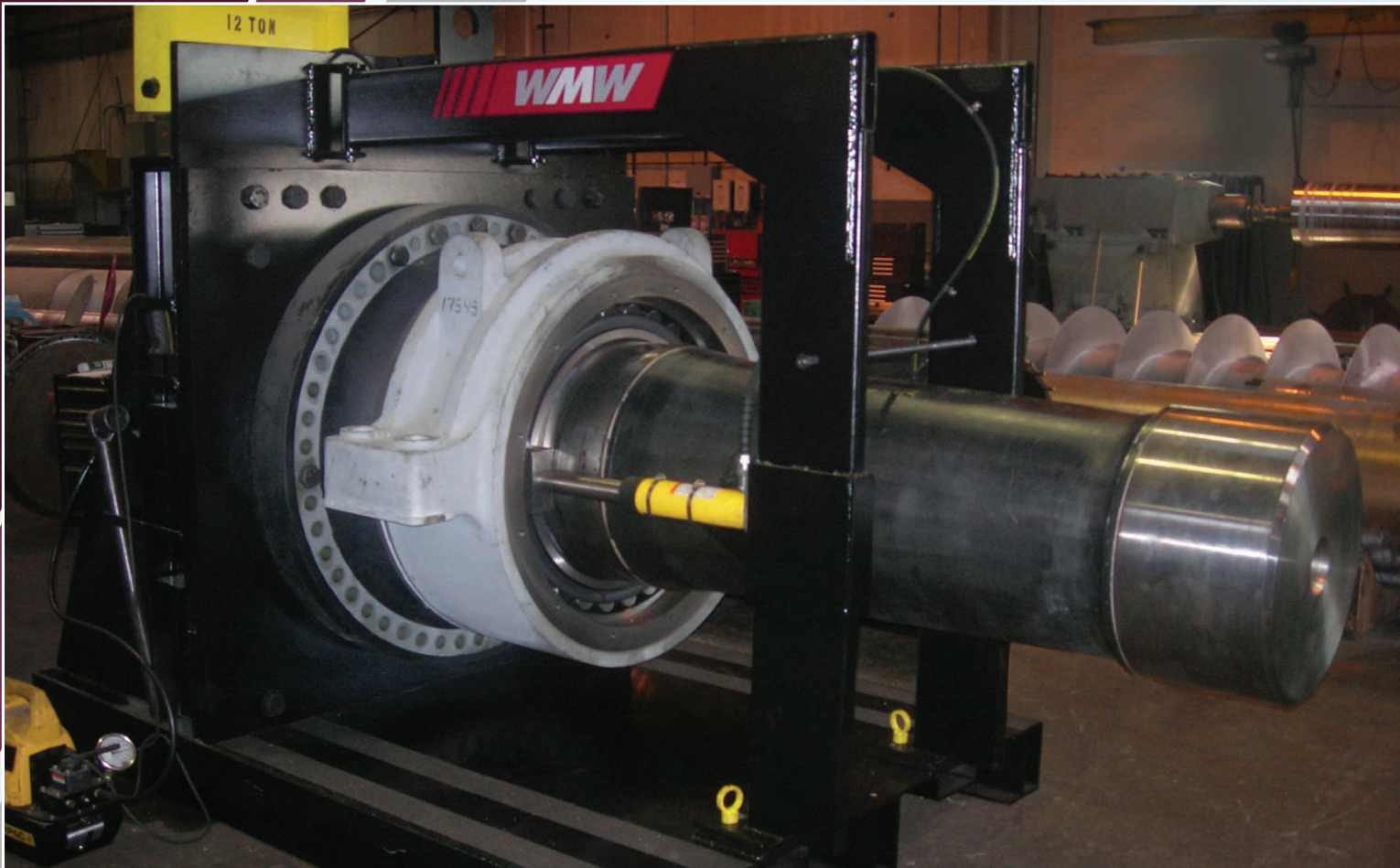
Complete Main Shaft Restoration

Enhanced Bearing Fit Repairs

Engineered Solutions for Increased Reliability

Total Main Shaft Project Management

**WIND TURBINE**  
SERVICES



## ENGINEERING

To improve reliability and ensure efficient operation of your main shaft assembly, our engineering team evaluates dimensional data and failure analysis results to determine design upgrades. We also have the in-house capability to reverse engineer and manufacture new components.

## METALLIZING

Increase reliability by restoring bearing fits to factory specifications or better by metallizing and precision grinding. A twin wire arc process using 420 stainless steel material with a bond strength in excess of 6000 psi provides a superior bearing fit surface that is more resilient to fretting and corrosion.

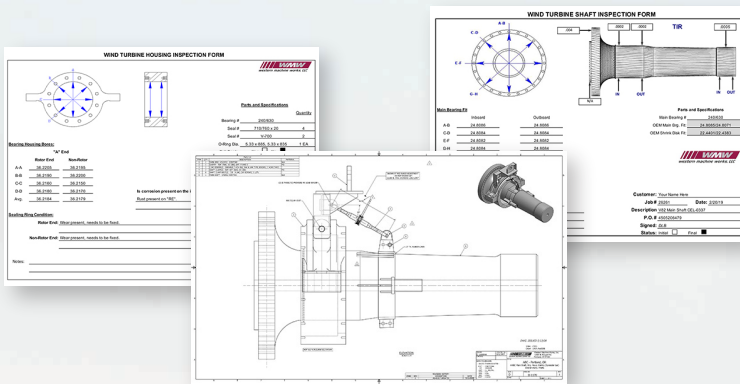
# MAIN SHAFT RESTORATION

Western Machine Works has the skilled technicians, project management, custom tooling, and engineering expertise to handle all aspects of main shaft refurbishing.

- Main Shaft Disassembly and Full Dimensional Inspection
- All Main OEM Shafts Serviced
- Non Destructive Testing of All Components
- Bearing Fit Repairs
- Sourcing for Unique Bearings and Sealing Components
- New Shaft Fabrication

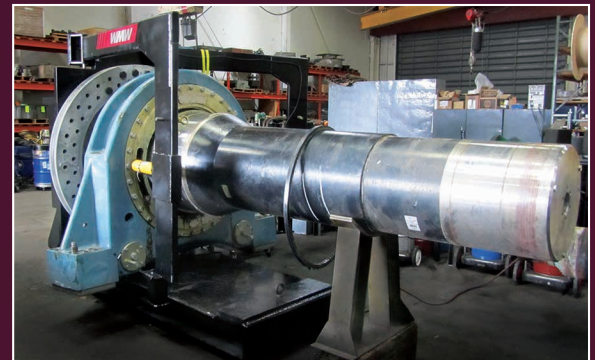
Custom tooling and fixtures are designed to efficiently and correctly assemble main shaft components.

Critical dimensions of all main shaft components are documented during the disassembly and inspection process.



# BEARING EVALUATION AND ANALYSIS

- Main Bearing Cleaning, Inspection and Failure Analysis
- Yaw Bearing Cleaning and Inspection
- Bearing Housing Restoration





## PROJECT MANAGEMENT AND TRANSPORTATION SERVICES

- Expert technical and logistics project management services allow you to get back to work.
- Custom lifting and transportation fixtures ensure your equipment is protected.
- Company-owned truck fleets ensure prompt, prioritized service.
- Minimize downtime with our 24/7 service.

Western Machine Works specializes in engineered solutions, equipment service, repairs, and upgrades for high-performance shafts and rotating equipment.

Our 34,000 square foot manufacturing facility and lifting capability handle your machine or engineering challenges.

Privately owned and operated since 1985, we are committed to producing the highest quality workmanship, technical expertise, and turnkey project management services to minimize downtime and improve reliability.

[westernmachine.com/wind](http://westernmachine.com/wind)



**Western Machine Works**

info@westernmachine.com  
(503) 286-7791

12005 N. Burgard Road  
Portland, OR 97203